

Creativity

Ender 3 Dual Z Axis Upgrade Kit

[Read More](#)

SKU: CR23-3DW87C9Z3CX9M

Price: 453.64 DH (HT)

Stock: instock

Categories: [Spare Parts](#)



Product Description

- Item Type: Hardware Parts/Machine Parts
- Brand Name: Creativity
- Origin: Mainland China

Dual Z-axis Upgrade Kit suitable for ender 3, ender 3 pro, ender 3 V2

Length of the rod: 365m

Package included:

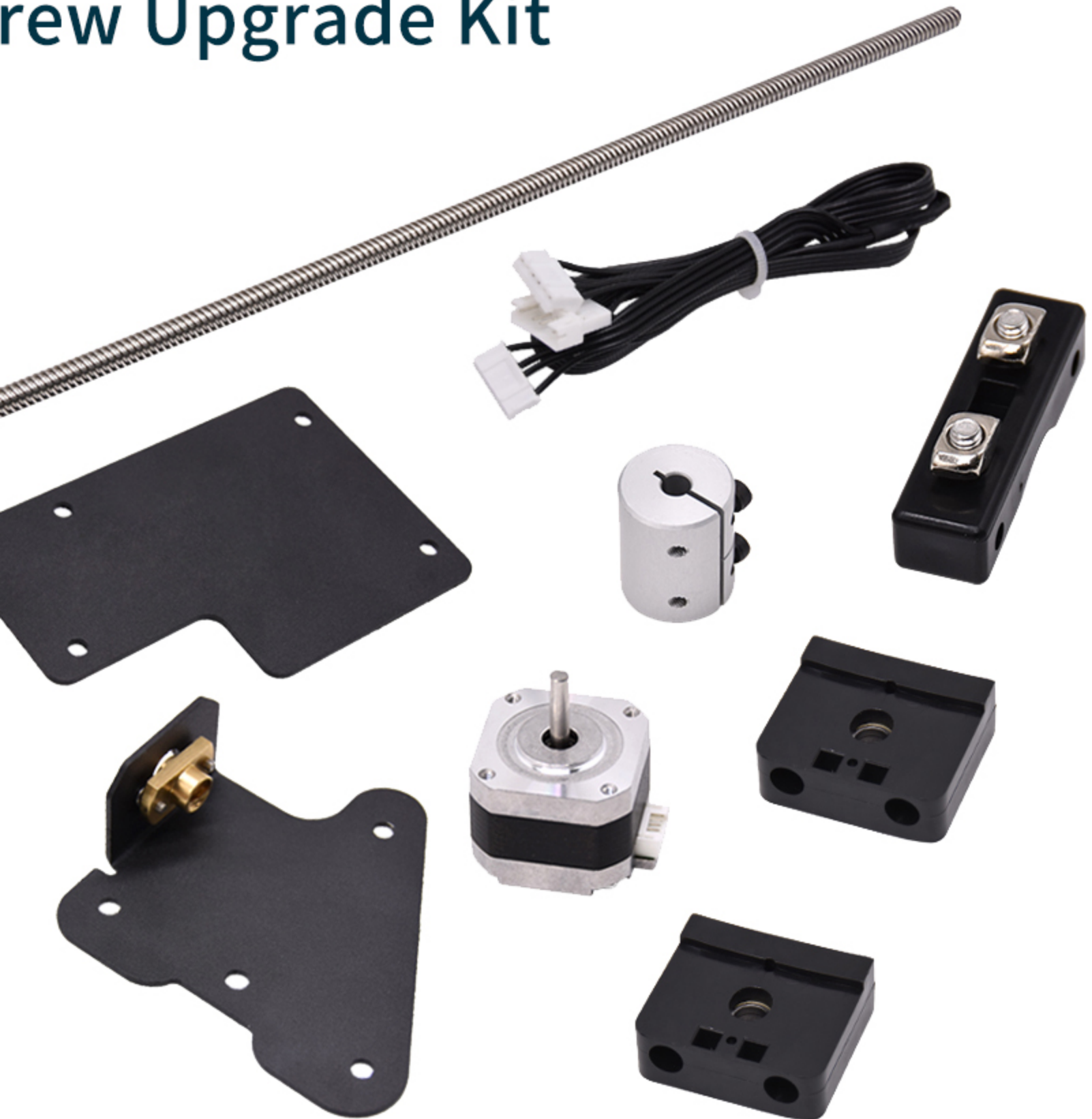
- 1* 34mm Stepper Motor
- 1* 365mm Lead Screw with brass nut
- 2* Lead Screw Bearing Guide
- 1* Z Coupler
- 1* Dual Z Stepper Cable

some screws, nuts and wrenches as you can see in the photos

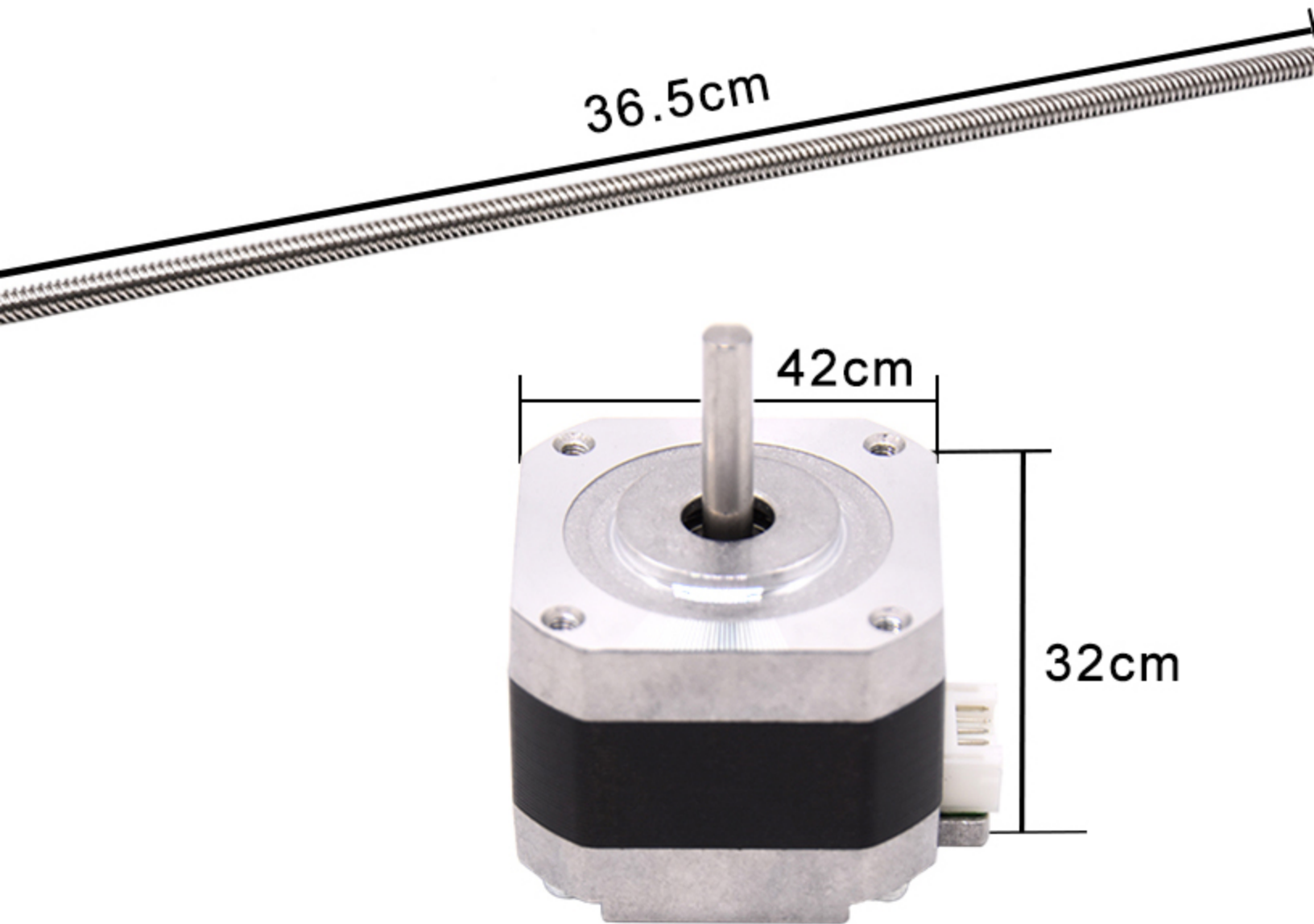
Packing list:

1 *Dual Z axis upgrade kit+10PC 0.4mm cleaning needle

Der3 Dual Z Axis Lead rew Upgrade Kit



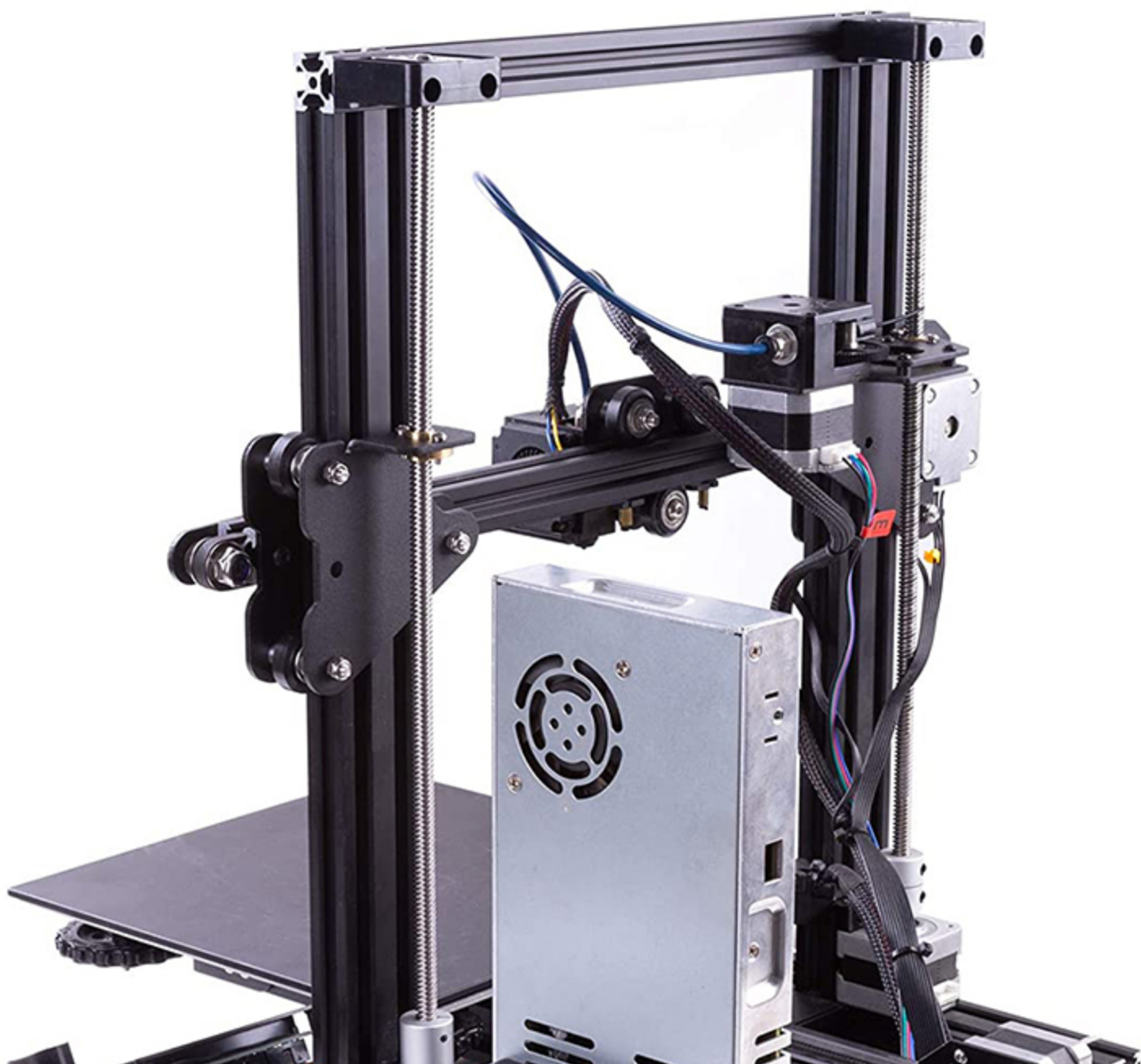
PRODUCT PARAMETERS



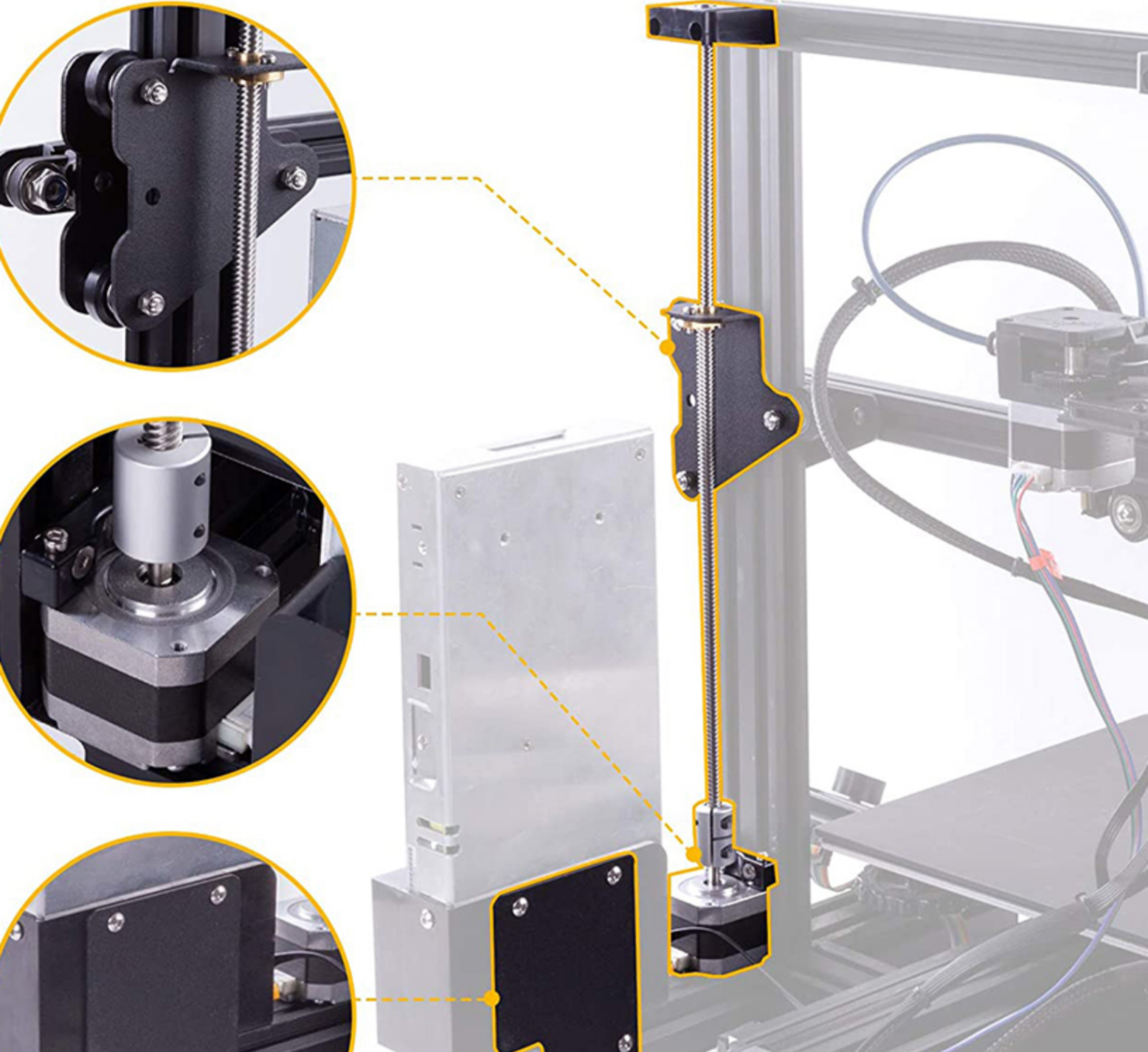
ce: The above data are all manual single batch measurement results

PRODUCT USAGE SCENARIOS

metal part to fix the power supply, more stab



Suitable for ender3, ender3 pro, ender3 V



Precise and smooth screw

Precise and smooth screw has high precision and high quality.

The guide rail precision is p3-p7. The repeated positioning accuracy reaches 0.01mm. High loading ability and high running speed meet the high-speed running requirements.



Four core crafts

Exquisite workmanship, precise machining



t-proof and mute design

Silencing and lubrication

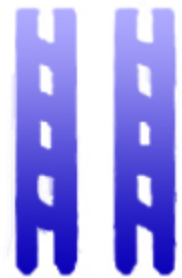


Select high quality mater

Tough and wear resistant



High quality



Precise and smooth scre

PACKING LIST



1pc T8-L-365mm
Lead 8mm Lead screw



1pc 42-34
stepper motor



2pcs Z Lead screw
Bearing Bracket



1pc coupler



1pc Motor Line



1pc M
Brac



PRODUCT REAL SHOT DISPLAY

