



Titanium Copper Bi-metal Heatbreak

[Read More](#)

SKU: CR23-1005006712656431

Price: 26.36 DH (HT)

Stock: instock

Categories: [Spare Parts](#)

Product Description

- Model Number: Ender 3 S1
- Item Type: throat
- Brand Name: BIQU
- Origin: Mainland China
- Material: Titanium Alloy Copper Alloy
- Size: 19mm*6mm
- Thread: M6
- Suitable: Ender 3 S1 / S1 Pro

Material

This is a branch design of the bimetal heatbreak. Its thermal blocking front end is made of titanium alloy and the back end is made of copper alloy material.

Heat Conduction

1. This Heatbreak is made from two components, Copper alloy and Titanium alloy. Titanium alloy reduces heat upward conduction at the heating position, and copper for heat dissipation to accelerate heat conduction.

2. Better heat dissipation Lower cold side temperatures Further prevention of thermal creep

Smooth inner wall

The titanium interior is polished for smooth filament movement and no resistance to clogging.

Parameters

Material: Titanium Alloy Copper Alloy

Weight: 1.7g

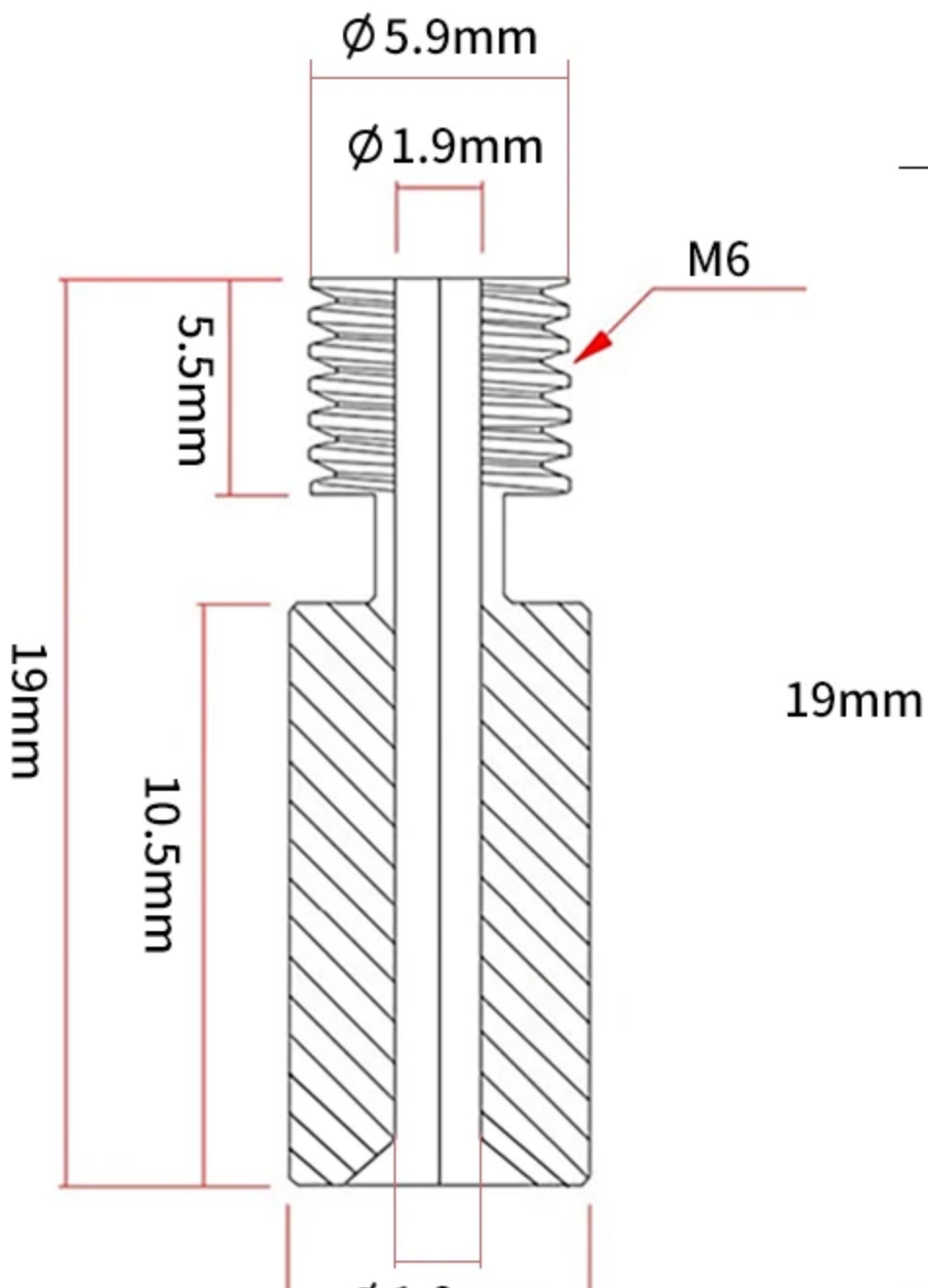
Size: 19mmxM6 **Package:** Ender3 S1 Titanium Alloy Bi-metal Heatbreak x1

1.This Heatbtrek is made from two components, Copper alloy and Titanium alloy. Titanium alloy reduces heat upward conduction at the heating position, and copper for heat dissipation to accelerate heat conduction.

Heat Conduction

This is a branch design of the bimetal heatbreak. It's thermal blocking front end is made of titanium alloy and the back end is made of copper alloy material.

PRODUCT PARAMETERS



Smooth inner wall without burr



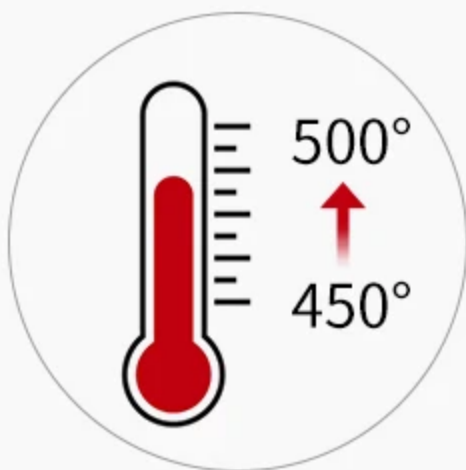
The inside of the throat adopts a special process. Compared with ordinary throat, the resistance of the printing retraction is reduced by 90%, and the printed product is more precise and delicate.



Titanium alloy material, high temperature resistance



All-titanium alloy has good heat insulation, high temperature resistance and can withstand up to 450-500 degrees. Inner hole roughness 0.05, anti-corrosion and wear-resistant.



Smooth feeding without leakage



The 45° chamfering design at the rear end of the thread, the feed is smooth, the section of the nozzle is flat and smooth, and it is highly close to the butt fittings

