



## Bimetal Heatbreak Copper Titanium

[Read More](#)

**SKU:** 3DWN16ZZ43E1W

**Price:** 35.45 DH (HT)

**Stock:** instock

**Categories:** [Spare Parts](#)

### Product Description

- Model Number: Bi Metal
- Item Type: Hot end
- Brand Name: HOPEDA
- Origin: Mainland China
- Color: Silver&Gold
- Material: Titanium
- Quantity: 2pcs
- Compatible: Ender 3 Cr10 Heating Break Hot End Parts
- Weight: 0.02kg

### 2PCS All Metal Bimetal Heatbreak Copper Titanium TC4 Throat High Temperature for Creality 3D Printer CR10 V3 S4 Ender 3 Hotend

#### Product Description:

- It is named "Bi-Metal Heatbreak" It has two components with different thermal conductivity. It is composed of 2 parts. We use a special process to hold them firmly together. You don't need to worry about it being damaged.
- This Heatbreak is made from two components, Copper and Titanium TC4. Titanium TC4 reduces heat upward conduction at the heating position, and copper for heat dissipation to accelerate heat conduction.
- The inner wall of the titanium is very smooth so that the filament can pass through and reduce clogging.
- The total length is 27.5mm, Compatible with Creality Printer Upgrade CR10 V3 S4 S5 Ender 3 V2 Ender3 pro Ender 5 CS3 Hotend

**Package Including** 2 pieces heating break hotend

**About the shipping way (please choose your best shipping way when you placed the order)**

1. Cainiao Super Economy Global -----this is the cheapest shipping way, but also has the long shipping time normally about 30-60days

2. AliExpress Saver Shipping-----this is the most compatiive shipping way, shipping time about 20-35days  
3. Aliexpress Standard Shipping-----this is the most safe and fast shipping way, shipping time about 15-25days



High quality titanium alloy + plated copper real bimetal material combined with 2...



- ▶ Compare with old version, this one is combined with 2 components at the interface, better to prevent leakage.



UPGRADE



Old version

Upgraded version



**High quality  
titanium alloy**



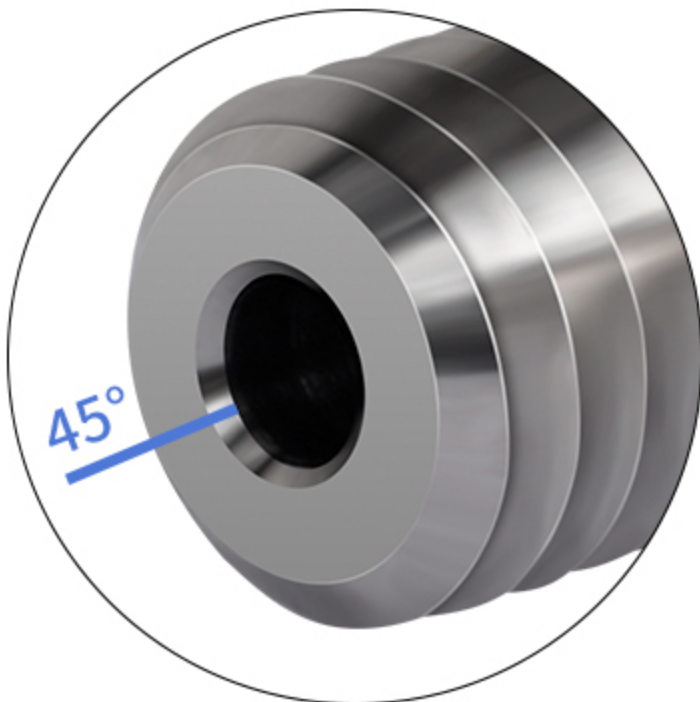
**Plated copper**



## ***Smooth feeding without leakage***



The 45° chamfering design at the rear end of the thread, the feed is smooth, the section of the nozzle is flat and smooth, and it is highly close to the butt fittings

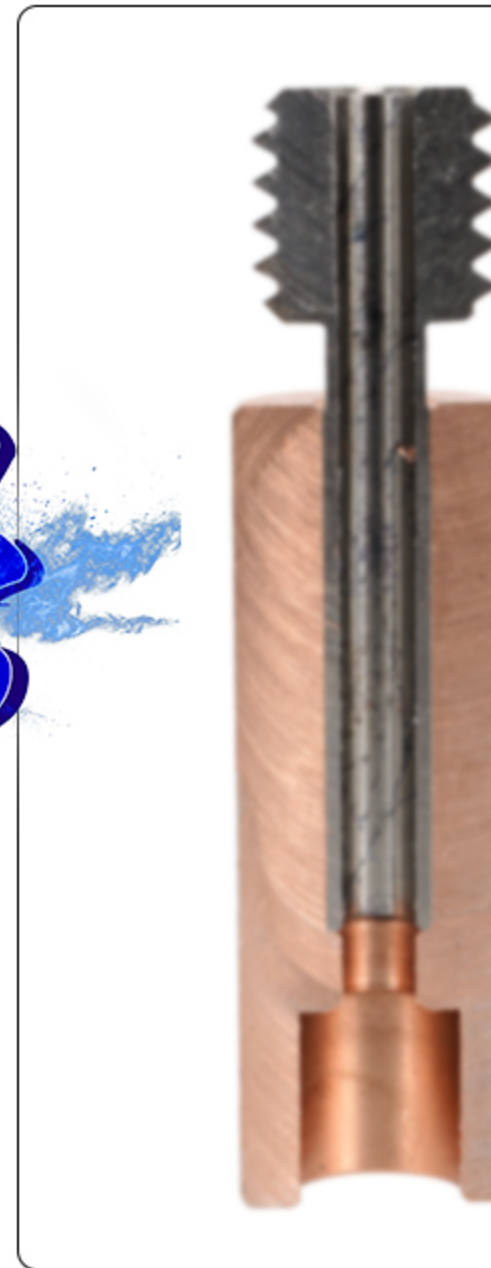




# *The inner wall is smooth and fl*



The inside of the throat is still smooth and will not affect the prin



**Product name: CR10 official bimetel titanium**

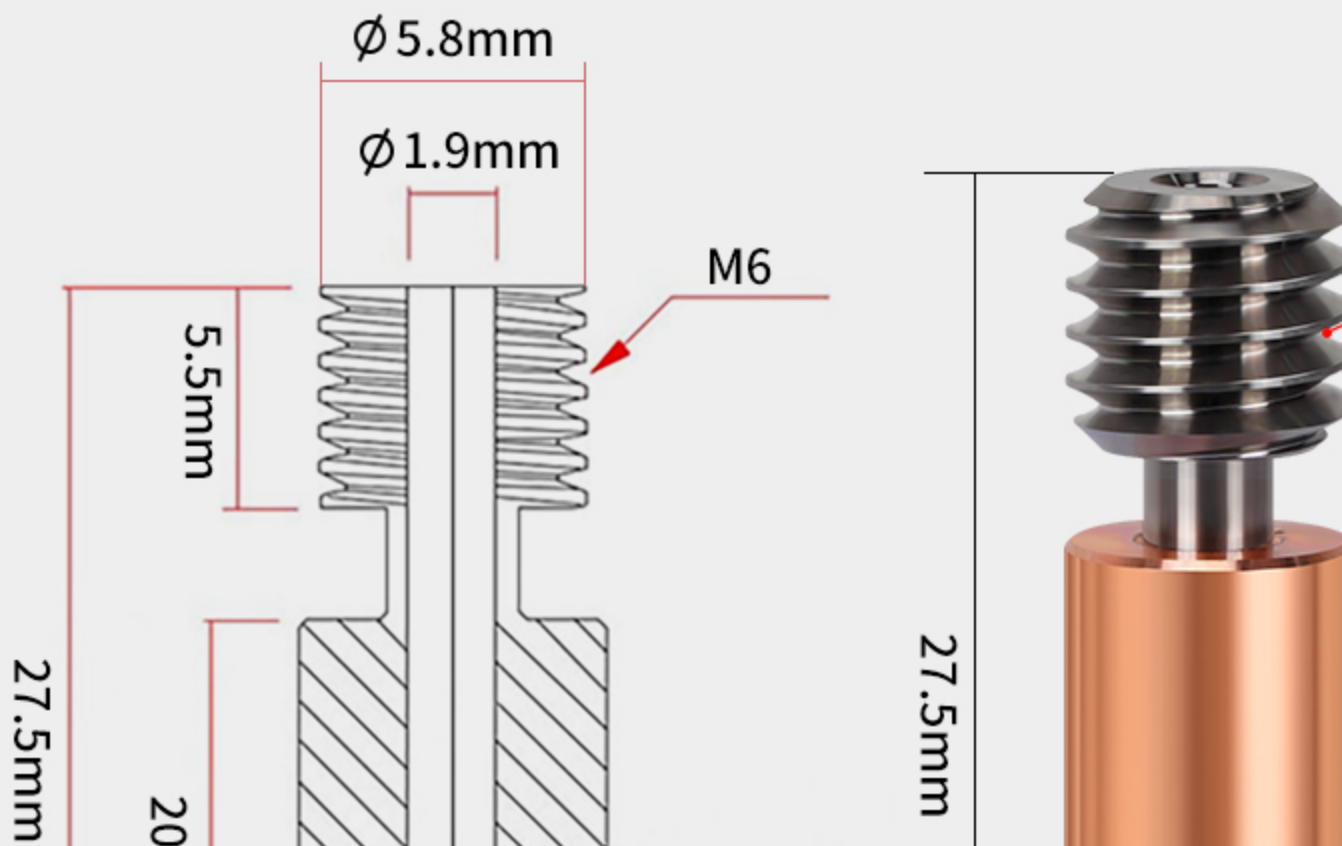
**Product material: tc4+ chrome zirconium cop**

**Product weight: 6.1g**

**Product size: 27.5mm\*7mm**

**Thread: M6**

**Applicable filament: 1.75mm**





# ***CR10 titanium alloy*** **+** ***chrome zirconium copper***

Use tc4+ chrome zirconium copper material, anti-co  
and wear-resistant, bi-metal resistantHigh temper  
can withstand up to 500-600 degrees, good corrosion

