

Volcano Nozzle

[Read More](#)

SKU: 3DW08C2RBV9K2

Price: 12.00 DH (HT) - 15.00 DH (HT)

Stock: instock

Categories: [Spare Parts](#)



Product Description

YOU MAY LIKE



MEGA 3pcs/lot E3D V5 V6 Volcano Nozzle 0.2 0.3 0.4 0.5 0.6 0.8 1.0 1.2mm M6 Threaded
 Nozzles for 3D Printer 1.75 3.0mm Filament **Name: E3D V5 V6 Volcano Nozzles**
For 1.75 or 3.0mm filament
Length: 21mm

Screw: 6mm (Thread M6)

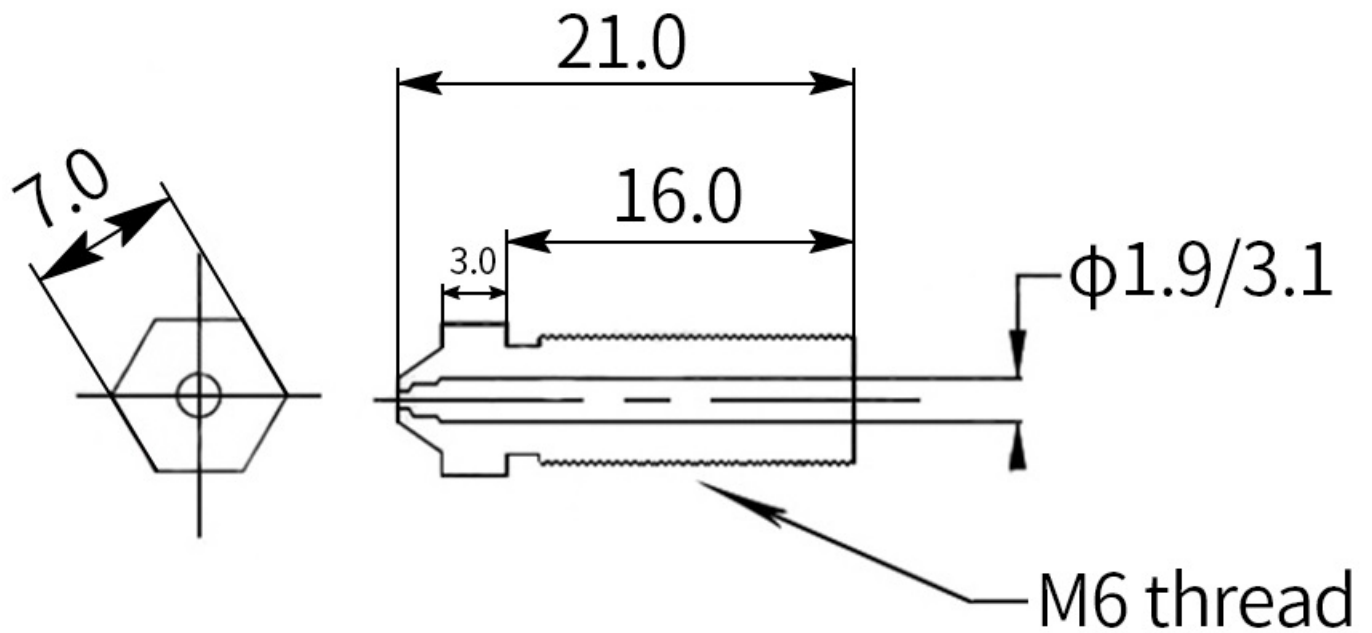
Material: Brass/Stainless steel

**Extrusion size: 0.2mm 0.3mm 0.4mm 0.5mm 0.6mm 0.8mm
1.0mm 1.2mm**

Package include: 3pcs Nozzles

Please note: If you need Mix size, please don't forget to let us know which size you need specially. For instance, if you need 1pc 0.3mm 3mm and 2pcs 0.4mm 1.75mm, we recommend you leave us note as following form“0.3 3.0-1?0.4 1.75-2”, so that we can understand it clearly. Otherwise,we will send you nozzles randomly. If you have any other questions, be free to leave a message. Thanks for your cooperation and understanding! Please enjoy!

Unit:mm



Material: brass, stainless steel

Input diameter : 1.75mm/3mm

Output diameter: 0.2/0.3/0.4/0.5/0.6/0.8/1.0 /1.2mm



M6 thread





















1.75mm

3.0mm





